

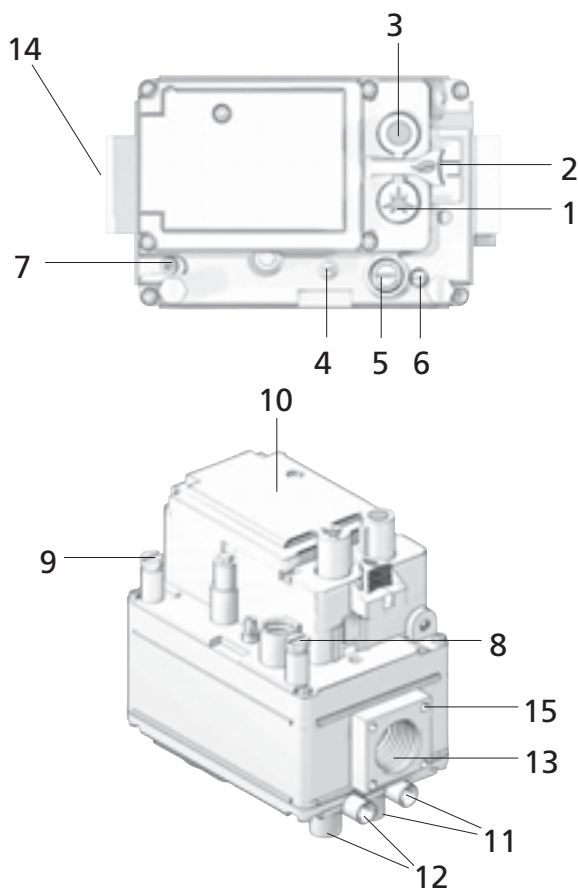
# 810 ELETTROSIT

## MAIN FEATURES

- Ignition button (pilot position) ✱
- Main burner ignition enabling button ➤ (manual or automatic version).
- Shutdown button ●
- Thermoelectric flame failure device with reset interlock.
- Near-silent automatic on-off solenoid valve.
- Pressure regulator.
- Adjuster for gas flow to the pilot burner.
- Step ignition device (optional).
- Inlet and pilot filters.
- Inlet and outlet pressure test points.
- Threaded gas inlet and outlet ready for flanged connection.

## DESCRIPTION

- 1 Ignition button (pilot position)
- 2 Main burner ignition enabling button
- 3 Shutdown button
- 4 Pressure regulator setting device
- 5 Pilot gas flow adjusting screw
- 6 Step ignition device adjustment screw
- 7 Pressure regulator override device
- 8 Inlet pressure test point
- 9 Outlet pressure test point
- 10 On-off solenoid valve
- 11 Thermocouple connections
- 12 Pilot outlets
- 13 Main gas inlet
- 14 Main gas outlet
- 15 Holes (M5) for fixing flanges

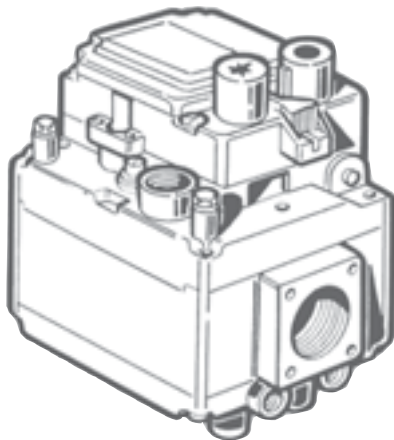


## CODES

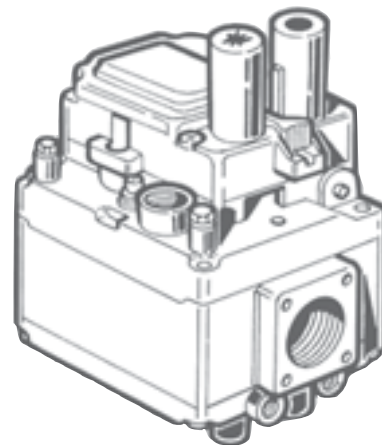
Codes	Ambient Temperature range [°C]	Inlet-outlet connection thread	Thermocouple connection	Pilot outlet and thermocouple	Power supply	Minimum screw drilled (D) [mm]	Buttons configuration	Third button
0810110	0 to 60	3/4"	11/32"	to the base	24 V-50 Hz	2.00	A	automatic
0810121	0 to 60	1/2"	9x1	in line	230 V-50 Hz	no	A	manual
0810122	0 to 60	3/4"	9x1	in line	230 V-50 Hz	no	A	manual
0810123	0 to 60	1/2"	9x1	in line	230 V-50 Hz	no	A	manual
0810126	0 to 60	1/2"	9x1	in line	230 V-50 Hz	no	B	automatic
0810130	0 to 60	1/2"	9x1	to the base	230 V-50 Hz	no	A	manual
0810136	0 to 60	1/2"	9x1	to the base	230 V-50 Hz	no	B	automatic
0810138	0 to 60	3/4"	9x1	to the base	230 V-50 Hz	no	A	manual
0810153	0 to 60	3/4"	11/32"	to the base	230 V-50 Hz	no	A	manual
0810156	0 to 60	1/2"	11/32"	to the base	230 V-50 Hz	no	A	manual
0810158	0 to 60	3/4"	9x1	to the base	230 V-50 Hz	2.60	A	manual
0810162	0 to 60	1/2"	11/32"	to the base	24 V-50 Hz	2	A	automatic
0810166	0 to 60	3/4"	9x1	to the base	230 V-50 Hz	no	A	automatic
0810168	0 to 60	1/2"	11/32"	to the base	24 V-50 Hz	no	A	manual
0810170	0 to 60	1/2"	11/32"	in line	230 V-50 Hz	2	A	manual
0810171	0 to 60	3/4"	9x1	to the base	24 V-50 Hz	no	A	manual
0810174	0 to 60	3/4"	11/32"	to the base	230 V-50 Hz	no	A	manual
0810175	0 to 60	3/4"	9x1	in line	230 V-50 Hz	no	B	manual
0810200	0 to 60	3/4"	11/32"	in line	230 V-50 Hz	1.5	A	manual
0818001	0 to 60	3/4"	/	in line	230 V-50 Hz	yes	/	/

## CONFIGURATIONS

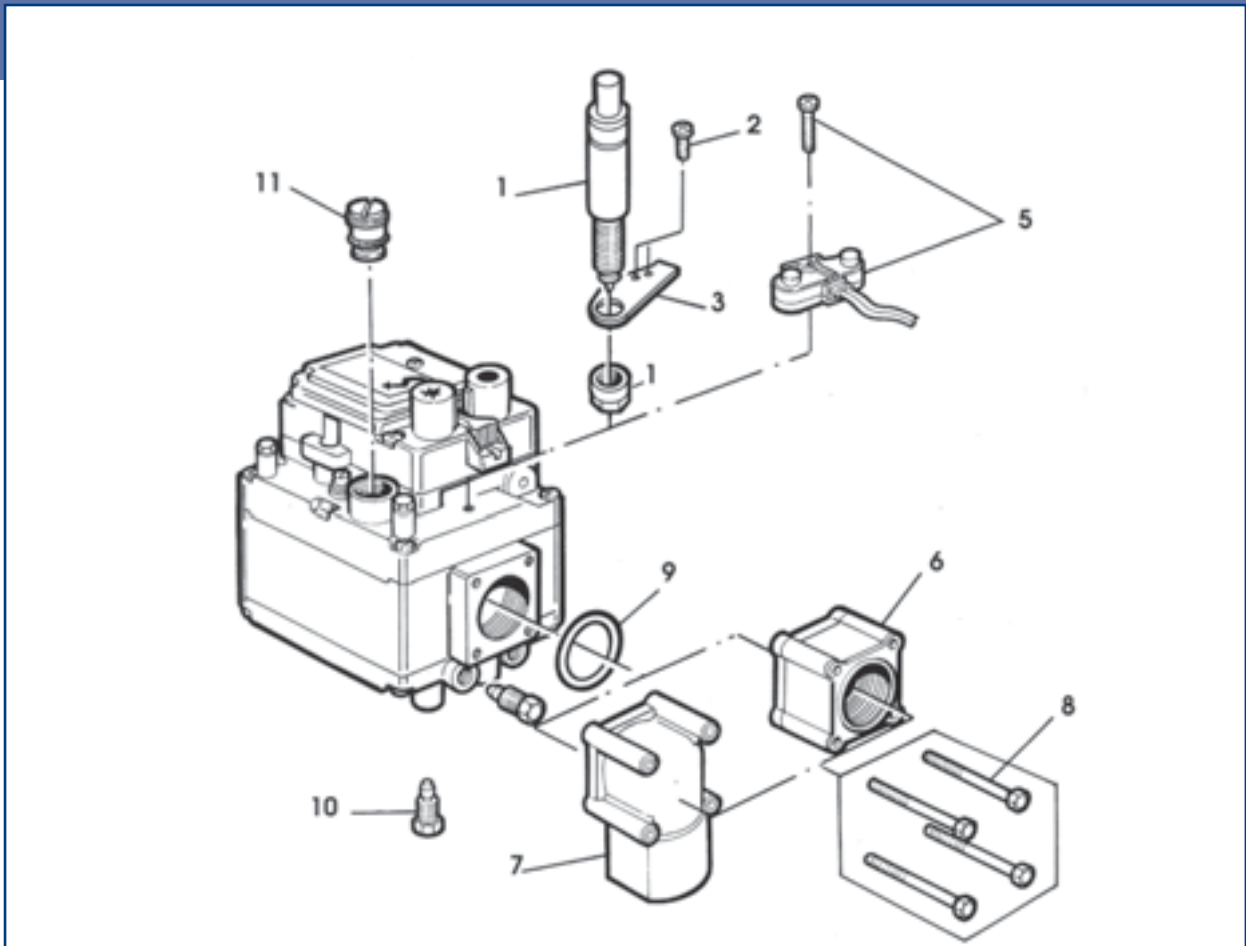
A



B







## ACCESSORIES

N.	Code	Description	Q.ty	N.	Code	Description	Q.ty
1	0.073.953	Piezo ignition switch	5	7a	0.906.242	Rp 3/4" straight flange	10
2	0.953.303	Screw for support	10	7b	0.906.240	Rp 3/4" elbow flange	10
3	0.978.099	Support for piezo igniter	10	8	0.953.315	Flange screw (4 for flange)	10
5a	0.927.012	Electric ignition switch with cables (L = 920 mm)	10	9	0.925.026	O-ring for flanges	10
5b	0.927.011	Electric ignition switch without cables	10	10a	0.958.030	ø 4 mm pilot tube shear-off	10
6a	0.906.241	Rp 1/2" straight flange	10	10b	0.958.031	ø 6 mm pilot tube shear-off	10
6b	0.906.239	Rp 1/2" elbow flange	10	10c	0.958.032	ø 1/4" pilot tube shear-off	10
				11	0.945.306	Min. rate screw – drilled ø 4 mm	100

Distribuito: **CALOR SRL**  
 Str. Progresului nr. 30-40, sector 5, Bucuresti  
 tel: 021.411.44.44, fax: 021.411.36.14  
 www.calorserv.ro - www.calor.ro